

**Dual Direct Drive Actuators**  
maintain sample in center with  
nanometer precision

**Clamp Grips**  
for film and tensile specimens

**T-slot Grip Interface**  
precision interface for a tension,  
compression, beam bending samples

**Large Stroke**  
enabled by ring encoder

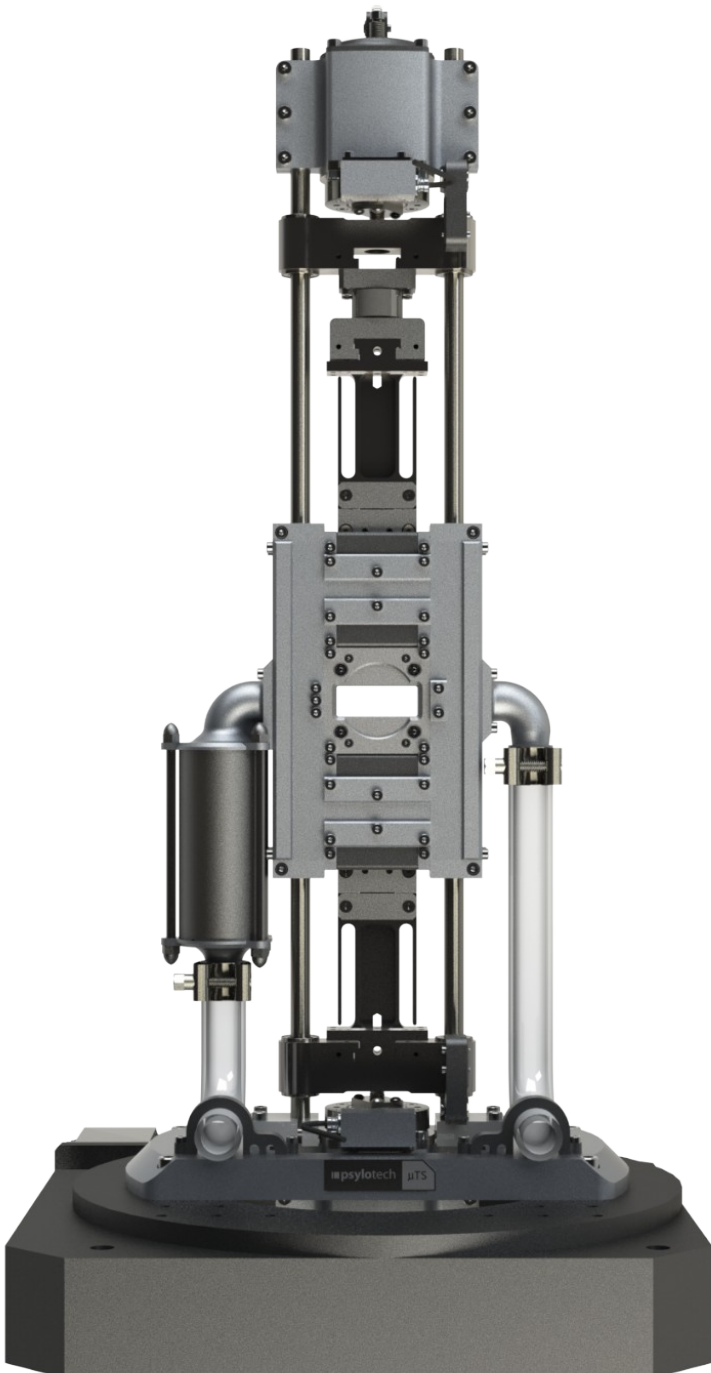
$\mu$ TS

**psylotech**

# XRD compatible universal mechanical load frame

The XRD edition of Psylotech's  $\mu$ TS is a high precision, portable, universal load frame for mechanical testing. It is compatible with tension, compression, beam bending and mixed-mode tests.

Psylotech's patented load frame design controls out of plane motion through 1/loading symmetry, 2/high machining tolerances, and 3/direct drive roller screw actuators.



## Temperature Chamber

Temperatures from -100 to 300C are available with a forced air environmental chamber. Heated quartz windows on the front and back clear 55 degrees of system rotation for off-axis testing. An optional rotation stage automates system rotation.

## Customization

Psylotech offers custom engineering services to help bring new ideas to fruition. These include custom grips, sample design studies, custom software modules.

## Specifications

Axial Force Capacity	<b>1N to 45 kN</b>
Torsion Capacity	Up to <b>350 Nm</b>
Stroke	<b>Configurable</b> to any stroke <b>80mm</b> stock
System height	typically <b>800mm</b>
Mass	<b>4 to 16 kg</b>

www.psylotech.com  
info@psylotech.com  
1.847.328.7100  
Evanston, IL USA